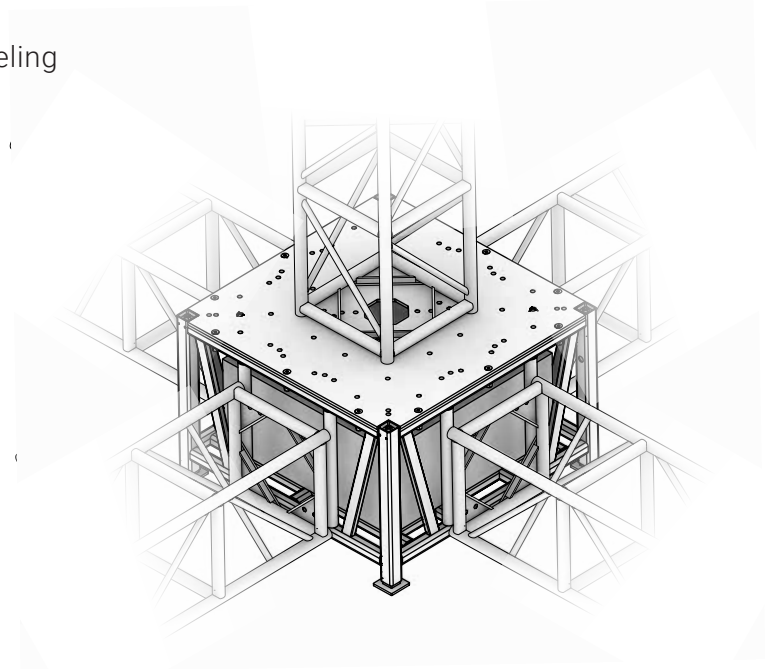
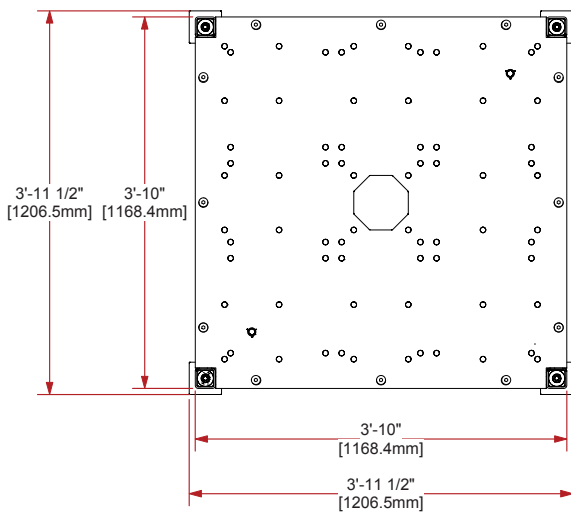


**SPECS**

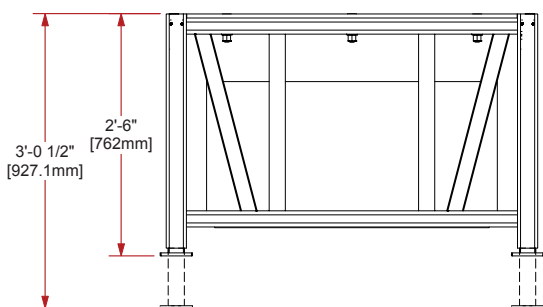
- Weight: 2500 lbs (1134 kg)
- 6.5" (165.1 mm) of leg adjustment for easy leveling
- Compatible with 12" and 20.5" truss
- Built-in bubble levels
- Multiple connection locations



**TOP**



**FRONT**



**SIDE**

