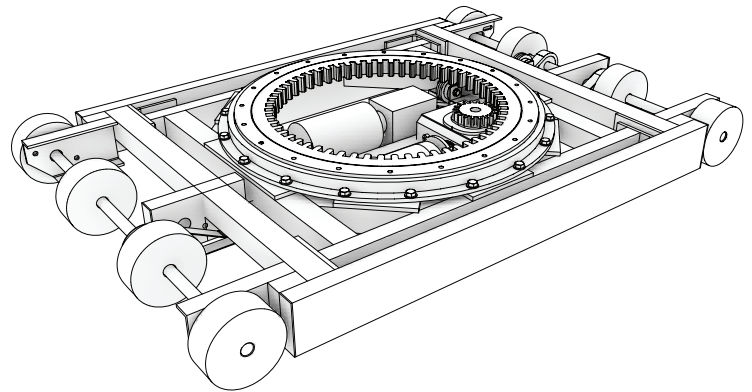
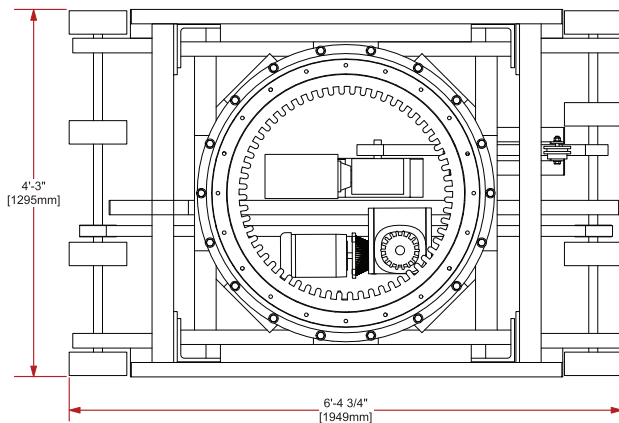


SPECS

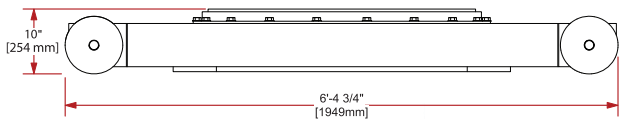
- Unit weight: 1025 lbs (465 kg)
- Weight cap: 10000 lbs (4536 kg)
- Power req: 208v, 10a, 3 phase (10a motor for mobilator, 10a motor for turret)

- Automotive "H" frame weight: 650 lbs (295 kg)
- Max bi-directional rotation speed: 8 rpm
- Max bi-directional rolling speed: 2 fps
- Variable rolling and rotation speeds

TOP



FRONT



SIDE

