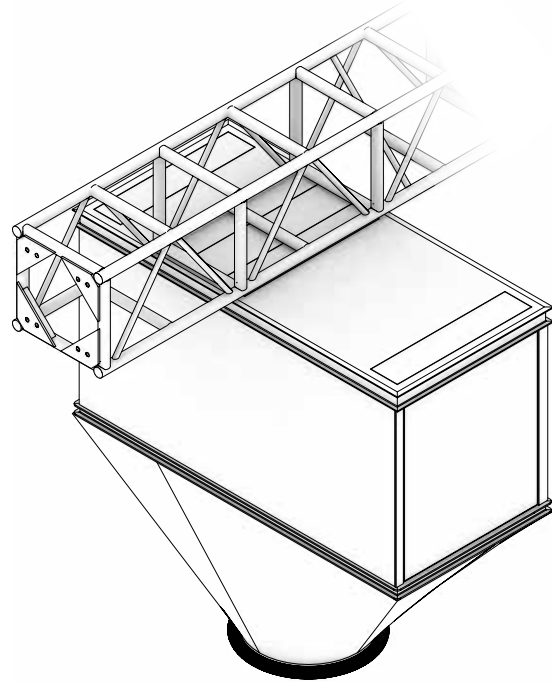
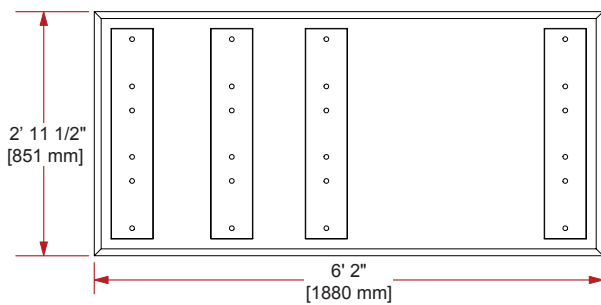


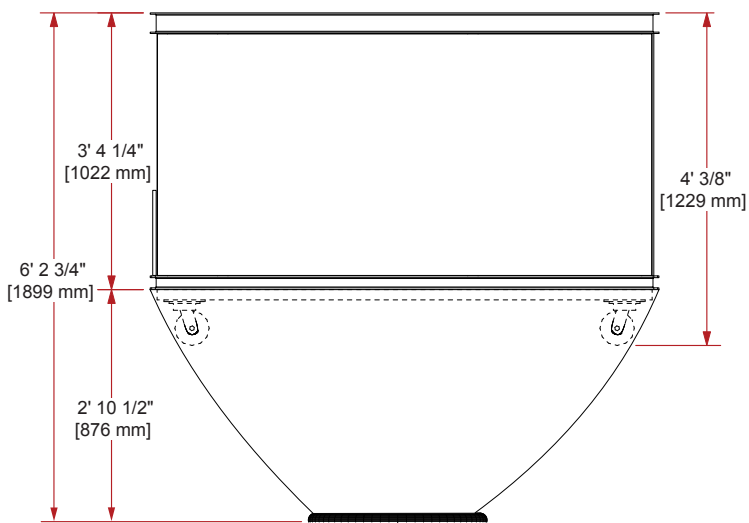
SPECS

- Weight: 875 lbs (397 kg)
- Power req: 208v/120v, 60hz, 30a, 3 phase (5 wire)
- Max drape size: 30'x30' (9.1mx9.1m)
- Manual control only

TOP



FRONT



SIDE

